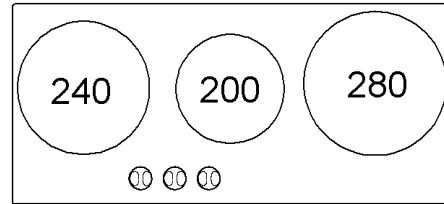
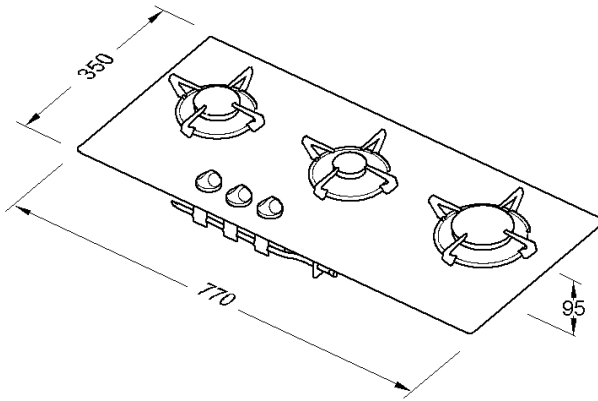




SERIES 931 TOPLINE HOB. PRODUCT INFORMATION SHEET



Maximum pan sizes (mm)

Model range	SHB93100
Main dimensions (HxWxD) (mm)	95 x 770 x 350
Worktop cut-out (WxD) (mm)	740 x 322
Total heat input (kW)	5,0
Gas hotplate burners (kW)	1 x 1,0 1 x 1,5 1 x 2,5
Fixing	Fixing option 6 (See separate sheet: PIS04E01)
Sealing	Foam seal
Hob top material	Glass
Maximum pan sizes (mm)	1x 280, 1x 240, 1x 200
Pan support	3 pieces
Spark ignition (12V DC)	Yes
Weight (kg)	4,0
Packaging (units/pallet)	16

Gas category (for all units)

CAT I₃+ (28-30/37)
BUTANE (G30) 28-30 mbar
PROPANE (G31) 37 mbar

CAT I₃ B/P (30)
BUTANE (G30) 30 mbar
PROPANE (G31) 30 mbar